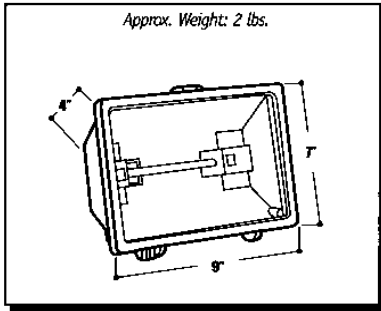


ATLAS LIGHTING PRODUCTS



Catalog #	Description	Std. Pkg.
Q300WF	300W Quartz, Bronze Finish w/ Frame, 120V Lamp	12
Q300FWT	300W Quartz, White Finish w/ Frame, 120V Lamp	12
Q500WF	500W Quartz, Bronze Finish w/ Frame, 120V Lamp	12
Q500FWT	500W Quartz, White Finish w/ Frame, 120V Lamp	12

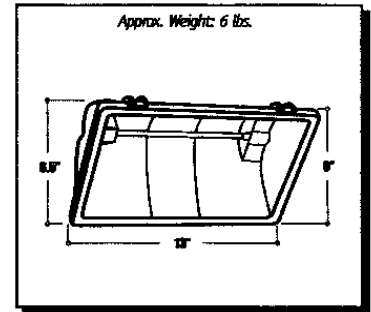
Q300WF..... \$14.95 ea.
 Q300FWT..... \$15.35 ea.
 Q500WF..... \$14.95 ea.
 Q500FWT..... \$15.35 ea.

UL Listed for Ground Mounting
 UL Listed for Wet Locations
 Die Cast Aluminum
 Hinged Frame with Spring Clasp
 1/2" Adjustable Knuckle

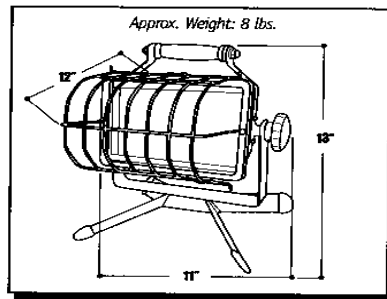
Catalog #	Description	Volts	Std. Pkg.
Q1000FWL240	1000W Quartz, Bronze Finish w/ Frame	240	6
Q1500FWL240	1500W Quartz, Bronze Finish w/ Frame	240	6

Q1000FWL240.....\$43.35 ea.
 Q1500FWL240.....\$40.55 ea.

UL Listed for Ground Mounting
 UL Listed for Wet Locations
 Die Cast Aluminum
 Hinged Frame with Spring Clasp
 1/2" Adjustable Knuckle

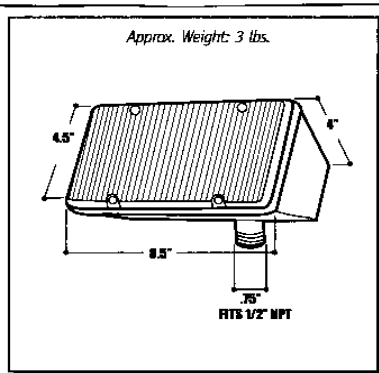


Die Cast Aluminum Housing
 Large Oversized Adjustment Knob
 Heat Resistant Wooden Handle
 Weatherproof 2-Position Switch
 Heavy Duty Steel Base with Non-Skid Grips
 15' Heavy Duty Cord



Catalog #	Description	Volts	Std. Pkg.
PCWL500QPK	500W Portable Quartz w/ Lamp	120	1

PCWL500QPK.....\$30.75



Description	Volts	Std. Pkg.
26 watt Floodlight, Bronze	120	12

DFF213PK.....\$32.15

UL Listed for Wet Locations
 Uses 70% Less Energy than an Incandescent Lamp with the Same Light Output
 Lamp Lasts up to 5 Times Longer Than Comparable Incandescent
 Corrosion Resistant Housing
 1/2" Threaded Adjustable Knuckle
 Polycarbonate Lens