

STONCO FLANKING LIGHT FIXTURES



LISTED for
Wet Locations



**Power Beam Series
Floods**
up to 1000 watts

CONSTRUCTION

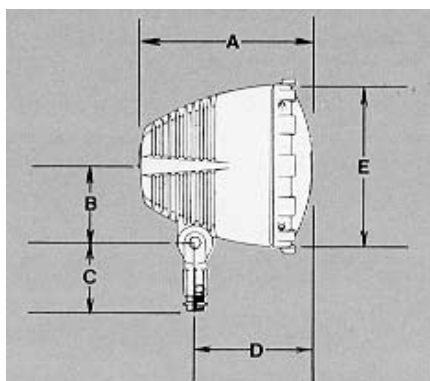
Precision die-cast aluminum with heat dissipation. Fully adjustable 1/2" male NPS arm. Units are pre-wired with porcelain socket and silicone gasketed for weather resistance. Enclosed units equipped with shock and heat resistant tempered glass. Open units used outdoors must be aimed below horizontal.

LAMP

(Not supplied.) Accepts up to 1000 watt PAR64 depending on model.

ORDERING INFORMATION

Catalog No.	Watt	Lamp	Base	Weight	Price
OPEN UNITS					
6400	500	PAR64	Mogul end prong		\$167.00 ea.
ENCLOSED UNITS					
6400E	500	PAR64	Mogul end prong	7lbs.	\$152.00ea.
Q6400AH	1000	PAR64	Mogul end prong	9lbs	\$559.00ea



DIMENSIONS (inches)

Series	A	B	C	D	E
6400E	9 1/8	4 1/2	2 3/4	5 1/2	9



SURFACE ADAPTER: To convert 1/2" arm to surface mount.....SLW10 \$19.00 ea
For all PAR-64 Units: Incandescent, Tungsten Halogen (Quartz) \$19.00 ea
Wire guard
Glare shield: 270
For PAR-64 Units: Incandescent
Clear lens and mounting kit6452T \$42.00 ea.
Clear lens only (8" dia.)6453T \$35.00 ea.

Clear above-horizontal lens and mounting kit.....06452AH

\$130.00 EA