



THE 8, 10 AND 12 INCH BELLS LISTED ON THIS PAGE HAVE BEEN REVIEWED BY THE U.S. COAST GUARD AND COMPLY C.G. 169 REGULATIONS FOR SOUND SIGNAL APPLIANCES AS REQUIRED BY ANNEX III PARAGRAPH 2 OF THE '72 COLREGS. THE 8 AND 10 INCH SIZES ARE FOR USE ON VESSELS UNDER 20 METERS (65. 6 FT.) IN LENGTH. THE 12 INCH SIZE IS FOR USE ON VESSELS OF ANY LENGTH.

FIG. 420

**CAST BRONZE
POLISHED OR
CHROME PLATED BRONZE
MEDIUM WEIGHT, REMOVABLE**



FIG 420 POLISHED

BOTTOM DIAMETER INCHES	HEIGHT OVERALL INCHES	POLISHED BRONZE STD. PKG - 1 PC.	CHROME PLATED BRONZE STD. PKG. - 1 PC.	WEIGHT POUNDS
6	5	420 006 POL	420 006 CHR	4-1/4
8	6-1/8	420 008 POL	420 008 CHR	7-1/8

FIG. 179

WROUGHT BRASS

**PLAIN BRASS
LIGHT WEIGHT,
FIXED MOUNTING**



BOTTOM DIAMETER INCHES	HEIGHT OVERALL INCHES	STD. PKG - 1 PC.	WEIGHT POUNDS
12	8	179 012 PLB	7-3/4

FIG 88

CAST BRONZE

**PLAIN, POLISHED OR
CHROME PLATED
BRONZE
HEAVY WEIGHT
FIXED MOUNTING**



BOTTOM DIAMETER INCHES	HEIGHT OVERALL INCHES	PLAIN BRONZE STD. PKG - 1 PC.	CHROME PLATED BRONZE STD. PKG. - 1 PC.	WEIGHT POUNDS
12	12	158 012 PLB	158 012 CHR	29-2/3

FIG. 159

STAMPED BRONZE

**PLAIN OR CHROME
PLATED BRASS
LIGHT WEIGHT
REMOVABLE**



FIG. 159 CHROME

BOTTOM DIAMETER INCHES	HEIGHT OVERALL INCHES	CHROME PLATED 1 PC. PER PKG.	PLAIN BRASS 1 PC. PER PKG.	WEIGHT POUNDS
6	4	159 DP6 CHR	159 DP6 PLB	1-1/2
8	5	159 DP8 CHR	159 DP8 PLB	2-3/4

FIG. 150

CAST BRONZE

**PLAIN, POLISHED OR
CHROME PLATED BRONZE
HEAVY WEIGHT
FIXED MOUNTING**

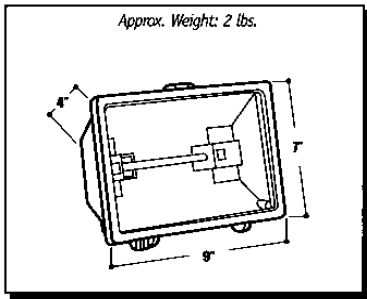


BOTTOM DIAMETER INCHES	HEIGHT OVERALL INCHES	WEIGHT POUNDS	PLAIN BRONZE STD. PKG - 1 PC.	POLISHED BRONZE STD. PKG - 1	CHROME PLATED BRONZE STD. PKG. - 1 PC.
8	8	11	150-008 PLB	150 008 POL	150 008 CHR
12	12	28-1/4	158 012 PLB	150 012 POL	150 012 CHR



FIG. 159 PLAIN

ATLAS LIGHTING PRODUCTS



Catalog #	Description	Std. Pkg.
Q500WF	500W Quartz, Bronze Finish w/ Frame, 120V Lamp	12
Q500FWT	500W Quartz, White Finish w/ Frame, 120V Lamp	12

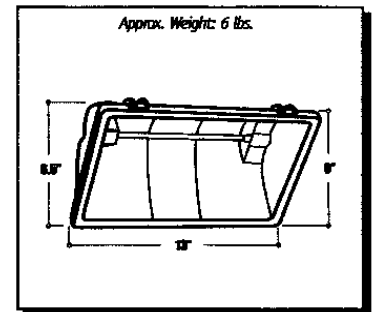
Q500WF.....\$17.86 ea.
Q500FWT.....\$17.86 ea.

UL Listed for Ground Mounting
 UL Listed for Wet Locations
 Die Cast Aluminum
 Hinged Frame with Spring Clasp
 1/2" Adjustable Knuckle

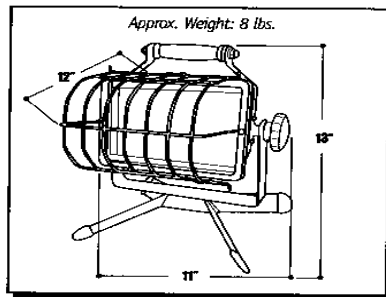
Catalog #	Description	Volts	Std. Pkg.
Q1000FWL240	1000W Quartz, Bronze Finish w/ Frame	240	6
Q1500FWL240	1500W Quartz, Bronze Finish w/ Frame	240	6

Q1000FWL240.....\$57.86 ea.
Q1500FWL240.....\$57.86 ea

UL Listed for Ground Mounting
 UL Listed for Wet Locations
 Die Cast Aluminum
 Hinged Frame with Spring Clasp
 1/2" Adjustable Knuckle

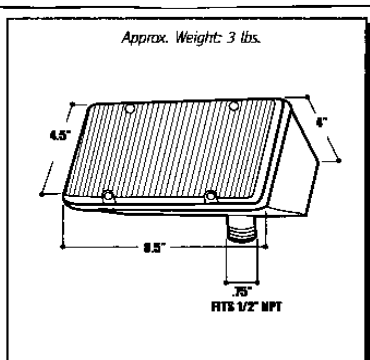


Die Cast Aluminum Housing
 Large Oversized Adjustment Knob
 Heat Resistant Wooden Handle
 Weatherproof 2-Position Switch
 Heavy Duty Steel Base with Non-Skid Grips
 15' Heavy Duty Cord



Catalog #	Description	Volts	Std. Pkg.
PCWL500QPK	500W Portable Quartz w/ Lamp	120	1

PCWL500QPK.....\$37.79



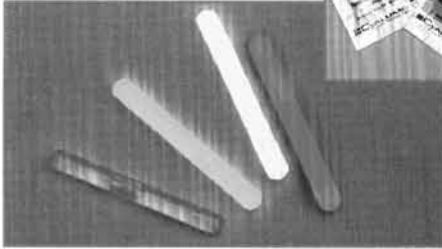
Description	Volts	Std. Pkg.
26 watt Floodlight, Bronze	120	12

DFF213PK.....\$41.31

UL Listed for Wet Locations
 Uses 70% Less Energy than an Incandescent Lamp with the Same Light Output
 Lamp Lasts up to 5 Times Longer Than Comparable Incandescent
 Corrosion Resistant Housing
 1/2" Threaded Adjustable Knuckle
 Polycarbonate Lens



Type A 1 1/2" Mini



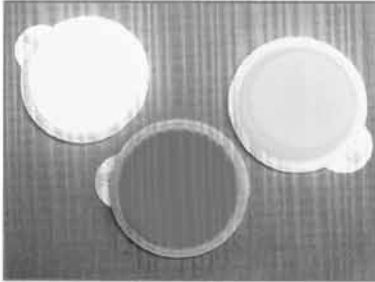
BLUE 4-6 HOUR
50 ct case 9-44360

YELLOW 4-6 HOUR
50 ct case 9-44350

GREEN 4-6 HOUR
50 ct case 9-44340

RED 4-6 HOUR
50 ct case 9-86000

3" LightShape® Circle Markers

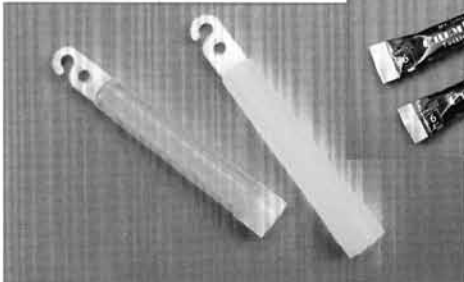


GREEN 4 HOUR
10 ct pack 9-50860

RED 4 HOUR
10 ct pack 9-42720

YELLOW 4 HOUR
10 ct pack 9-42710

4" ChemLight®



GREEN 6 HOUR
100 ct case 9-74780

ORANGE 6 HOUR
100 ct case 9-76300

Accessories



MAGNETIC BASE
25 ct case 9-27092

HANDLES
25 ct case 9-33450

CONE ADAPTER
25 ct case 9-27103

PML® & S.O.S.



GREEN PML 8 HOUR
50 ct case 9-80770

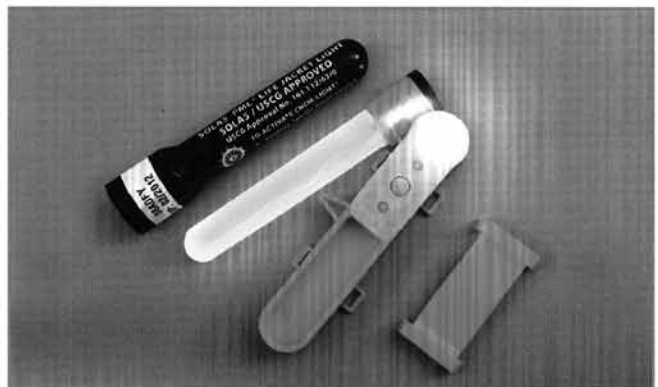
DUAL PML 8 HOUR
50 ct case 9-27060



GREEN S.O.S. 8 HOUR
50 ct case 9-42740



ORANGE S.O.S. 5 MIN
50 ct case 9-68260



SOLAS PML
40 ct case 9-00350

CYALUME®, SnapLight®, ChemLight®, LightShape®, PML® and the Cyalume Light Technology logo are registered trademarks of Cyalume Technologies, Inc.

C-B-0208-04



CEILING MOUNT

Box with four 3/4" threaded hubs and integral mounting feet.

Sceptalight offers a variety of globe options to suit a wide range of applications and environments. Our standard clear glass globes are ideal for general purpose area lighting for either indoor or outdoor use. Polycarbonate globes offer impact resistance in case of accidental contact and the assurance that work areas are not contaminated by broken glass.

Colored globes – available in red, blue, green or amber – can transform the light to an indicator or warning light.



Clear Polycarbonate



Standard or Heat-treated Clear Glass



Heat-treated Red Glass



Heat-treated Blue Glass



Heat-treated Green Glass



Heat-treated Amber Glass

LIGHT OPTIONS

Sceptalight offers the choice of energy-efficient compact fluorescents or cost-effective incandescents.

FLUORESCENTS

Our compact fluorescent fixtures work four to five times more efficiently per watt than incandescents and provide 10-20 times the lamp life, yet use approximately 75% less energy. In this way, Sceptalight fluorescents lower energy and maintenance costs without sacrificing light levels.

INCANDESCENTS

With their low initial cost, Sceptalight incandescent fixtures make the most practical choice to meet the daily needs of commercial, industrial, marine and agricultural applications. Our incandescents are ideal for short burn times as well as flashing and dimming applications.



WALL MOUNT

Box with four 3/4" threaded hubs, 90° wall bracket and integral mounting feet.



PENDANT MOUNT

Pendant cap with 3/4" threaded hub and a locking set screw.



HAZARDOUS LOCATIONS

CLASS I, DIV 2 Groups A, B, C & D

CLASS II, DIV 2 Groups F & G

Minimum 90°C supply conductors

CALL FOR PRICE



MARINE LOCATIONS

C22.2 No. 250

UL 1598, UL 1598A

Minimum 110°C supply conductors

CALL FOR PRICE



WET LOCATIONS

C22.2 No. 250

UL 1598

Minimum 60°C supply conductors

CALL FOR PRICE

LCGG150T - HEAT RESISTANT GREEN GLASS GLOBE - CALL FOR PRICE

LCGB150T - HEAT RESISTANT BLUE GLASS GLOBE - CALL FOR PRICE

LCGA150T - HEAT RESISTANT AMBER GLASS GLOBE - CALL FOR PRICE

LCGR150T - HEAT RESISTANT RED GLASS GLOBE - CALL FOR PRICE



MISC. LIGHTING DEVICES



Features:

- Flasher buttons are medium-base and offer choices of flash frequencies.
- Bulb saver button extends bulb life up to 100 times normal. Reduces energy
- Consumption and relamping frequency
- For security lighting, signs, exit lights,
- Lamp posts and other related applications.

Socket Buttons



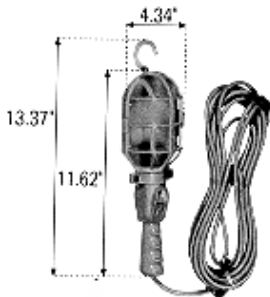
472T-125

Rating	Description	Base	Flashes/Minutes	Catalog	Price	
W	V			No.		
60	120	Gacor Twinkle	Medium	50 to 75	472T-125	\$5.80 ea.
62	120	Gacor Beacon	Medium	28 to 33	472B-125	\$5.80 ea.

Yellow Trouble Lamps:

Features:

- Meet all UL 298 requirements.
- Heavy duty thermoplastic, jacketed cord for rough service
- Consumption and relamping frequency
- For security lighting, signs, exit lights,
- Lamp posts and other related applications.



1078-25

2 Wire with Plastic Guard and 15A 125V 2P2W Outlet

Rating	Cord	Plug			
	Type/Size	Rating	NEMA	Switch	Length
13A 125V	SJTW W-A	15A 125V	1-15P	PUSH	25'
#1078-25	18/2				\$38.00 ea.

FOR BULB SIZE 502 & 407



\$.71

For Barge Fleet Lights

QUICK SELECTOR



TOWBOAT - TUGBOAT

LIGHTING QUICK SELECTOR

ORDER NO.	QTY	PRICE	DESCRIPTION
HD D	72	36¢	D CELL RAY O VAC HEAVY DUTY
HD C	72	31¢	C CELL RAY O VAC HEAVY DUTY
AL D	72	72¢	D CELL RAY O VAC ALKALINE
AL C	72	56¢	C CELL RAY O VAC ALKALINE
6V-GP	12	\$1.53	6 VOLT SPRING TOP- RAY O VAC, GEN. PURPOSE
6VHD	12	\$1.65	6 VOLT SPRING TOP- RAY O VAC,HEAVY DUTY
6VHD M	12	\$2.04	6 VOLT SPRING TOP - RAY O VAC MAX. H D
806	12	\$4.94	6 VOLT SPRING TOP ALKALINE
942/945R	12	\$2.14	6 VOLT SCREW TOP - RAY O VAC G P

FLASHLIGHTS

IN-2	12	\$3.42	2 D CELL RAY O VAC INDUSTRIAL
IN2MS	12	\$4.60	2 D CELL RAY O VAC MINE SAFETY
WHE2D-1 (E2DCC)	12	99¢	2 D CELL ECONOMY FLASHLIGJT WITH BATTERIES
IV2D	12	\$1.81	2 D CELL RAY O VAC ECONOMY

HEAD LIGHT & LANTERNS

K FL	6	\$4.93	FLOATING 6 VOLT LANTERN
EVBFL6VA	6	\$4.15	FLOATING 6 VOLT LANTERN W/BATTERY

BULBS FOR FLASH, LANTERNS & BARGE LIGHTS

PR 2	10	25¢	FOR 2 D CELL FLASHLIGHT
502	10	24¢	FOR 6 VOLT BARGE LIGHT
407	10	28¢	FOR 6 VOLT, FLASHING BARGE LIGHT
1850	10	24¢	FOR PORTABLE NAV. LIGHT
1906	10	24¢	FOR PORTABLE NAV. LIGHT
9414	10	\$3.10	FOR PORTABLE NAV. LIGHT

PORTABLE NAVIGATION FIXTURES - LED

200SCR	1	\$256.67	CG LISTED PORTABLE NAV RED FIXTURE
200SCG	1	\$256.67	CG LISTED PORTABLE NAV GREEN FIXTURE
200SAA	1	\$256.67	CG LISTED PORTABLE NAV FLASHING AMBER
200SCC	1	\$256.67	CG LISTED PORTABLE NAV CLEAR FIXTURE

MISCELLANEOUS PRODUCTS

IEPR 54555	12 PR.	\$26.60	Double Palm Leather Gloves
------------	--------	---------	----------------------------



QUICK SELECTOR

TOWBOAT - TUGBOAT LIGHTING QUICK SELECTOR

ORDER NO.	QTY	PRICE	DESCRIPTION
-----------	-----	-------	-------------

SEARCHLIGHT BULBS

BTR	12	\$19.60	1000 WATT, MED PF BASE, HALOGEN
BVA	24	\$32.17	900 WATT, 2PP BASE, HALOGEN
CXZ	12	\$65.10	1500 WATT, MOG PF BASE
DPT	12	\$28.20	1000 WATT, MOG SCREW BASE
DRS	12	\$25.30	1000 WATT, MED PF BASE
DYS	12	\$5.30	600 WATT, GZ-9.5 BASE
XENON	1	\$593.00	1000 WATT XENON, SHORTARC LMP FOR CF FIX.
XENON	1	\$686.00	1000 WATT XENON, LONG LAMP FOR VARO FIX.

NAVIGATION LIGHT BULBS

342 002	10	\$23.00	25 WATT PERKO BULB, MED PF BASE
342 004	10	\$23.00	60 WATT PERKO BULB, MED PF BASE
342 RS4	10	\$32.00	60 WATT PERKO BULB, ROUGH SERVICE
374 001	10	\$22.00	12 VOLT PERKO BULB
374 002	10	\$22.00	24 VOLT PERKO BULB
374 004	10	\$26.00	120 VOLT PERKO BULB

REGULAR LIGHT BULBS

7 1/2S B	10	75¢	7 1/2 WATT BLUE, PEEP LIGHT BULB
25A/B	24	93¢	25 WATT BLUE, PEEP LIGHT BULB
40A	48	42¢	40 WATT REGULAR, 130 VOLT
40A/B	120	93¢	40 WATT BLUE, PEEP LIGHT
60A	48	42¢	60 WATT, 130 VOLT
60A/Y/RS	24	\$1.09	60 WATT YELLOW, ROUGH SERVICE, 130 VOLT
100A	48	42¢	100 WATT, 130 VOLT
100ARS	120	48¢	100 WATT, ROUGH SERVICE
Q300T3	12	\$2.42	300 WATT, T 3 HALOGEN
Q500T3	12	\$2.42	500 WATT, T 3 HALOGEN
FC8T9/CW	12	CALL	22 WATT CIRCLINE FLUORESCENT
FC12T9/CW	12	CALL	32 WATT CIRCLINE FLUORESCENT

PORTABLE NAVIGATION FIXTURES

100D6RED	1	\$24.45	6" DOME, RED, WITH PHOTO CELL
100D6GREEN	1	\$24.45	6" DOME, GREEN, WITH PHOTO CELL
100D6YELLOW	1	\$24.45	6" DOME, YELLOW, WITH FLASHER-PHOTO CELL
100D6CLEAR	1	\$24.45	6" DOME, CLEAR, WITH PHOTO CELL
200SCR	1	\$246.67	CG LISTED, PORTABLE NAV. RED FIXTURE
200SCG	1	\$246.67	CG LISTED, PORTABLE NAV. GREEN FIX.
200SAA	1	\$246.67	CG LISTED, PORTABLE NAV. FLASHING AMBER
200SCC	1	\$246.67	CG LISTED, PORTABLE NAV. CLEAR FIX.

PRODUCT LINES



ACR	SAFETY & SURVIVAL EQUIPMENT
AQUA SIGNAL	MARINE PRODUCTS
ATLAS ELECTRIC	QUARTZ FLOODLIGHTS
BRIGHTSTAR	FLASHLIGHTS, LANTERNS, & DATE
	CODED BATTERIES
BWF	VAPOR PROOF LIGHT FIXTURES,
	GLOBES AND GUARDS
CARMANAH	SOLAR POWERED NAV. LIGHTS
CEGASA	ALKALINE AIR BATTERIES
COOPER	FUSES & WIRING DEVICES
DATREX	MARINE SAFETY EQUIPMENT
DURACELL	PROCELL INDUSTRIAL BATTERIES
EMPCO-LITE	USCG ACCEPTED NAV. LIGHTS
HELLA	MARINE PRODUCTS
LITETRONICS	EXTRA LONG LIFE BULBS
MUSTANG	SURVIVAL PRODUCTS
NORTHSTAR	U.L. 595 FLOODLIGHT FIXTURES
PAULUHN	LIGHTING FIXTURES & ELECTRICAL
	DEVICES
PELICAN	FLASHLIGHTS AND WORKLIGHTS
PERKO	MARINE LIGHTS, HARDWARE &
	ACCESSORIES
PHILLIPS LIGHTING	FULL LINE LAMP MANUFACTURER
PHOENIX	MARINE LIGHTING PRODUCTS
RAY-O-VAC	BATTERIES, FLASHLIGHTS, & LANTERNS
SURVITEC	SURVIVAL PRODUCTS
SCEPTER	VAPOR PROOF NON-METALLIC
SEAHORSE	LIFE JACKETS AND RING BUOYS
SEALITE	SOLAR POWERED NAV. LIGHTS
SLI	YELLOW ROUGH SERVICE LIGHTS
STEARNS	FLOTATION PRODUCTS
STONCO	FLANKING LIGHTS
TIDELAND SIGNAL	AIDS TO NAVIGATION
UNIVERSAL	FLUORESCENT AND HID BALLASTS
USHIO	SEARCHLIGHT BULBS

For more information on the products featured on the page,
call 1-800-737-1314 or www.archwaymarinelighting.com

Quick Selector

BATTERY PRODUCTS



ALKALINE MULTI-PACKS

AL-D	\$.72 EA	72/CASE
AL-C	\$.56 EA	72/CASE
AL-AA	\$.34 EA	96/CASE
AL-AAA	\$.35 EA	96/CASE
AL-9V	\$ 1.16 EA	72/CASE

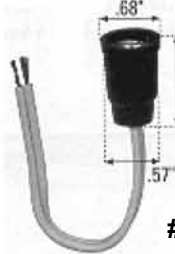


HEAVY DUTY MULTI-PACKS

HD-D	\$.36 EA	72/CASE
HD-C	\$.31 EA	72/CASE
HD-AA	\$.27 EA	96/CASE
HD-9V	\$.94 EA	72/CASE

PIGTAILS

For Barge Fleet Lights



**FOR BULB
SIZE
502 & 407**

#306 \$.71 EA 25/BUNDLE

QUARTZ BULBS



300 WATT #Q300T3/CL-130V - \$2.42 EA 12/PACK

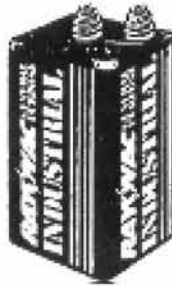
500 WATT #Q500T3/CL-DVS - \$2.42 EA 12/PACK

FLEET BARGE LIGHTS



RAY O VAC SCREW TOP

942/945R \$2.14 EA 12/CASE



RAY O VAC SPRING TOP

GV-GP \$1.53 EA 12/CASE - GENERAL PURPOSE

6V-HD \$1.65 EA 12/CASE - HEAVY DUTY

6V-HDM \$2.04 EA 12/CASE - HEAVY DUTY MAXIMUM

806 \$4.94 EA 12/CASE - ALKALINE



Model 100D6

6 Volt W/Flasher \$24.45

6 Volt W/Photo Cell \$24.45

6 Volt Steady Burn \$24.45

*Steady Burn Bulb 1906 \$0.24

*Flashing Bulb 1850 \$0.24

ARCHWAY BARGE FLEET LIGHT



**AW 150 CS/PC
CLEAR-PHOTO CELL
\$11.95 EA.**

PORTABLE NAVIGATION BARGE LIGHTS

MODEL 200 MB LED LIGHT SYSTEMS



L E D

200 SCR - RED LED - \$256.67 EA

200 SCG - GREEN LED - \$256.67 A

200 SAA - AMBER LED - \$256.67 EA

200 SCC - CLEAR LED - \$256.67 EA

For more information on the products featured on the page,
call 1-800-737-1314 or www.archwaymarinelighting.com